

SPLIT

# Cassette

## Circular Flow

Comfort for Large Room



(30/36/45/54)

### Unique Circular Flow design

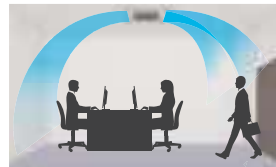
Cassette type realizes Circular Flow to blow large airflow in 360° direction by mounting high performance DC fan motor, turbo fan and unique seamless airflow louver design.



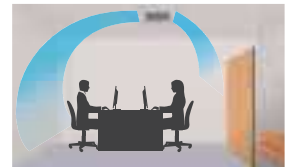
### Individual louver control

Each louver can be set individually by Touch Panel Wired Remote Controller to enjoy the comfort of different directional airflows according to various room layouts.

\*Touch Panel Wired RC (UTY-RNRYZ3) only



Comfortable air conditioning by preventing direct blowing of cold air and by providing swinging air flow simultaneously.



Efficient air conditioning based on the room layout

### Human sensor increases more energy saving

Energy saving operation starts automatically by detecting the motion of a person. 2 modes of save operation mode and stop mode can be selected.



Human sensor (Option)

2 modes can be selected.

- Auto saving** Power is saved while people are away.
- Auto OFF** Operation stops after people go out.

\*Touch Panel Wired RC (UTY-RNRYZ3) only

### Various Cassette Grille

Both, black and white color grilles are available. There are three types: white color grille with Remote Controller, only white color grille and only black color grille. Selectable according to the atmosphere and/or usage of the room.



UTG-UKYA-W  
White Color Grille  
With touch panel wired remote controller



UTG-UKYA-B  
Black Color Grille



UTG-UKYC-W  
White Color Grille

**Model: AUXG18LRLB / AUXG24LRLB  
AUXG30LRLB / AUXG36LRLB / AUXG45LRLB / AUXG54LRLB**



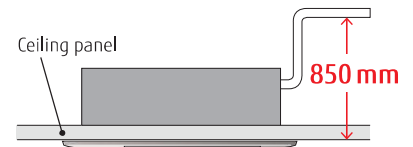
**Specifications**

Model No.	Indoor unit		AUXG18LRLB	AUXG24LRLB	AUXG30LRLB	AUXG36LRLB	AUXG45LRLB	AUXG54LRLB
	Outdoor unit		AOYG18LBCA	AOYG24LBCA	AOYG30LBTA	AOYG36LBTA	AOYG45LBTA	AOYG54LBTA
Power Source			Single-phase, ~230V, 50Hz					
Capacity	Cooling	kW	5.2 (0.9-6.5)	6.8 (0.9-8.0)	8.5 (2.8-10.0)	9.5 (2.8-11.2)	12.5 (4.0-14.0)	13.3 (4.5-14.5)
	Heating		6.0 (0.9-8.0)	7.8 (0.9-9.1)	10.0 (2.7-11.2)	10.8 (2.7-12.7)	14.0 (4.2-16.2)	15.8 (4.7-16.5)
Input Power	Cooling/Heating	kW	1.42/1.50	2.16/2.18	2.56/2.77	2.96/2.91	3.85/3.73	4.38/4.58
EER	Cooling	W/W	3.66	3.15	3.32	3.21	3.25	3.04
	Heating		4.00	3.58	3.61	3.71	3.75	3.45
Pdesign	Cooling/Heating(-10°C)	kW	5.2/4.3	6.8/6.0	8.5/8.0	9.5/8.7	-	-
SEER	Cooling	W/W	7.05	6.60	6.70	6.40	-	-
	Heating (Average)		4.40	4.20	4.30	4.30	-	-
Energy Efficiency Class	Cooling		A++	A++	A++	A++	-	-
	Heating (Average)		A+	A+	A+	A+	-	-
Max. Operating Current	Cooling/Heating	A	10.0/13.5	13.5/18.5	17.0/17.0	20.0/20.0	20.5/20.5	21.5/21.5
Annual Energy Consumption	Cooling	kWh/a	258	361	444	519	-	-
	Heating		1,367	1,999	2,604	2,833	-	-
Moisture Removal		l/h	2.2	2.7	2.5	3.3	4.5	5.0
Sound Pressure Level	Indoor (Cooling)	H/M/L/Q	33/32/31/28	35/33/32/29	40/38/36/33	44/41/38/34	46/42/39/35	47/43/40/36
	Indoor (Heating)	H/M/L/Q	33/32/31/28	35/33/32/29	40/38/36/33	44/41/38/34	46/42/39/35	47/43/40/36
	Outdoor(Cooling/Heating)	High	51/50	55/56	53/55	54/55	55/55	55/57
Sound Power Level	Indoor(Cooling/Heating)	High	47/47	49/49	54/54	58/58	60/60	61/61
	Outdoor(Cooling/Heating)	High	64/62	68/68	67/69	68/70	68/68	69/71
Airflow Rate	Indoor / Outdoor (Cooling)	High	1,050/1,900	1,150/2,460	1,600/3,600	1,900/3,800	2,000/6,750	2,100/6,750
	Indoor / Outdoor (Heating)	High	1,050/1,700	1,150/2,360	1,600/3,600	1,900/3,800	2,000/6,200	2,100/6,850
Net Dimensions H x W x D	Indoor	mm	246×840×840	246×840×840	288×840×840	288×840×840	288×840×840	288×840×840
	Outdoor	mm	620×790×290	620×790×290	830×900×330	830×900×330	1290×900×330	1290×900×330
Weight	Indoor	kg(lbs)	24 (53)	24 (53)	26 (57)	26 (57)	29 (64)	29 (64)
	Outdoor	kg(lbs)	41 (90)	41 (90)	61 (134)	61 (134)	86 (189)	86 (189)
Connection Pipe Diameter (Liquid / Gas)			6.35/12.7	6.35/15.88	9.52/15.88	9.52/15.88	9.52/15.88	9.52/15.88
Drain hose Diameter (I.D./O.D.)			25/32	25/32	25/32	25/32	25/32	25/32
Max Pipe Length (Pre-Charge)			30 (15)	30 (15)	50 (20)	50 (20)	50 (20)	50 (20)
Max Height Difference			20	20	30	30	30	30
Operation Range	Cooling	°CDB	-15 to 46	-15 to 46	-15 to 46	-15 to 46	-15 to 46	-15 to 46
	Heating		-15 to 24	-15 to 24	-15 to 24	-15 to 24	-15 to 24	-15 to 24
Refrigerant	Type (Global Warming Potential)		R410A (2,088)	R410A (2,088)	R410A (2,088)	R410A (2,088)	R410A (2,088)	R410A (2,088)
	Charge	kg(CO2eq-T)	1.80 (3.8)	1.80 (3.8)	2.10 (4.4)	2.10 (4.4)	3.35 (7.0)	3.35 (7.0)
Cassette Grille	Variation	UTG-UKYA-W: White Color with touch panel wired remote controller UTG-UKYK-W: White Color / UTG-UKYA-B*1: Black Color						
	Dimensions (H x W x D)	mm	53×950×950	53×950×950	53×950×950	53×950×950	53×950×950	53×950×950
	Weight	kg(lbs)	6.0 (13)	6.0 (13)	6.0 (13)	6.0 (13)	6.0 (13)	6.0 (13)

\*1: IR Receiver kit and human sensor kit cannot be connected.

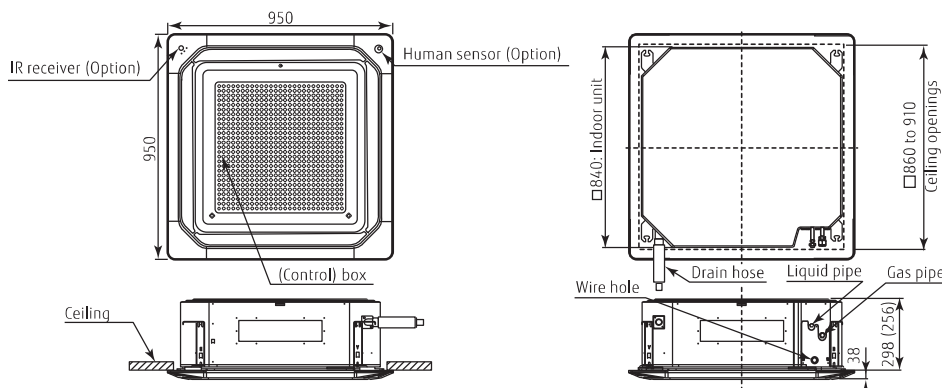
**Optional parts**

- Wired Remote Controller: UTY-RNRYZ3, UTY-RVNYM, UTY-RLRY, UTY-RNNYM
- Simple Remote Controller: UTY-RSNYM, UTY-RSRY, UTY-RHRY, UTY-LBTYC
- IR Receiver Kit: UTY-SHZXC
- Human Sensor Kit: UTG-AKXA-W
- Panel Spacer: UTG-BKXA-W
- Air Outlet Shutter Plate: UTR-YDZK
- Insulation Kit For High Humidity: UTZ-KXRA
- Fresh Air Intake Kit: UTZ-VXRA
- External input and output PCB (with box): UTY-XCSX + UTZ-GXRA
- External connect kit: UTY-XWZZG
- Cassette Grille: UTG-UKYA-W, UTG-UKYA-B, UTG-UKYK-W
- Wireless LAN Interface: UTY-TFNXZ1



**Dimensions**

(Unit : mm)



( ): AUXG18/24LRLB